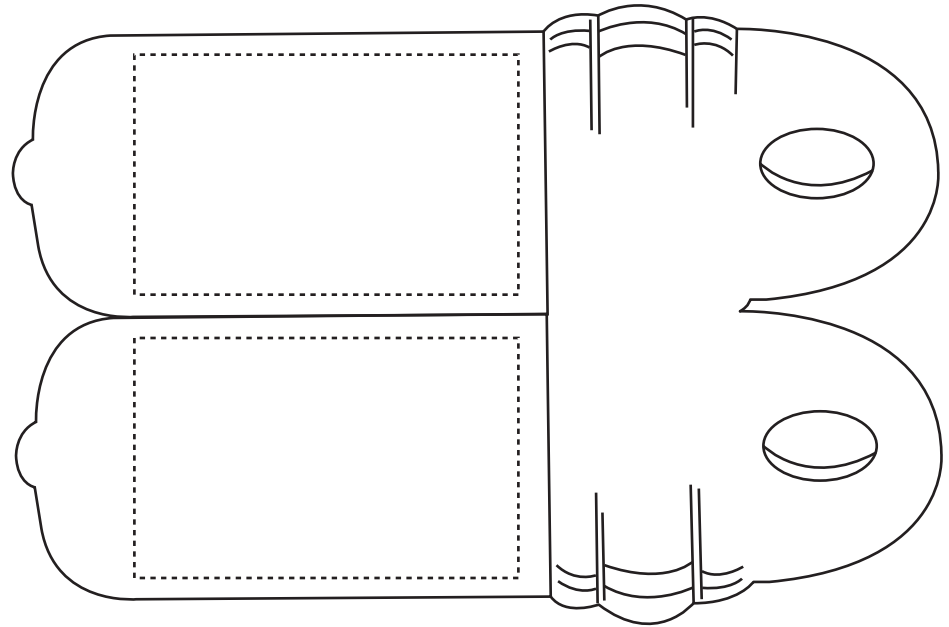


wrap

100%

Dotted line shows imprint area

2 sided



1 sided

